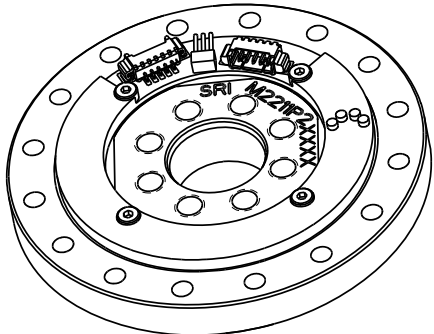


NOTE: THE OVERLOAD CAPACITIES FOR BENDING MOMENT, AXIAL AND RADIAL FORCE EXCEED 300% OF THOSE USED FOR CROSSTALK MEASUREMENT

AWG#30 SINGLE WIRES  
 TWISTED FOR SIGNALS  
 CONNECTOR PLUG 43020-0400  
 WITH CONTACT 43031-0005  
 CABLE LENGTH 245±15

SPECIFICATIONS	
CAPACITY (Nm)	140
OVERLOAD CAPACITY (%F.S.)	300
OUTPUT @ F.S. (V) NOMINAL	2.5±2
POWER SUPPLY (V)	5V
BRIDGE RESISTANCE (Ω) NOMINAL	700
NON-LINEARITY (%F.S.)	0.5
HYSTERESIS (%F.S.)	1.0
OPERATING TEMP. RANGE (°C)	-20 TO +85
CROSSTALK (%F.S.)	1.0
AXIAL FORCE FOR CROSSTALK (N)	500
RADIAL FORCE FOR CROSSTALK (N)	500
BENDING MOMENT FOR CROSSTALK (Nm)	45
TORSION ANGLE (CALCULATED)	0.05°
TORSIONAL STIFFNESS (KNm/RAD)	180
BENDING STIFFNESS (kNm/RAD)	28
MASS (KG)	0.19



WIRING CODE - BOTH CHNS	
COLOR	FUNCTION
RED	+EX
GREEN	+SIG
BLACK	GND
BROWN	-SIG

**SUNRISE INSTRUMENTS**  
[www.srisensor.com](http://www.srisensor.com)

DUAL CHANNEL TORQUE LOADCELL  
 D70MM, 140 Nm

UNLESS OTHERWISE SPECIFIED DIMENSIONS ARE IN MM	M2211P2	REV. 0.1
--	---------	-------------